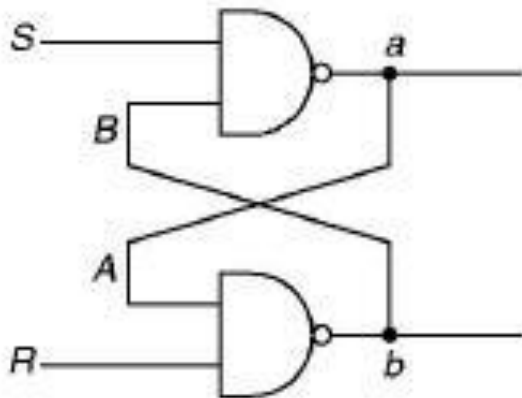


R-S Latch

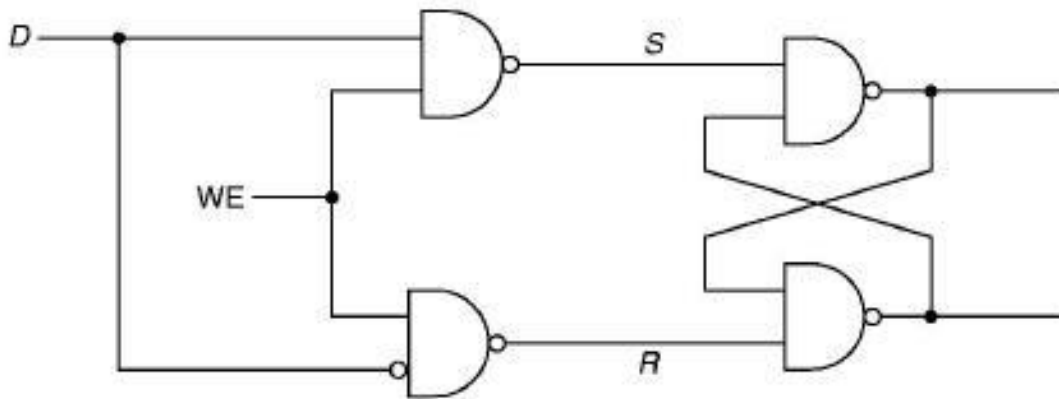


(Circuit Diagram from Patt & Patel textbook)

S	R	Q_t	Q_{t+1}	
0	0	0	?	Invalid
0	0	1	?	Invalid
0	1	0	1	Set
0	1	1	1	Set
1	0	0	0	Clear / Reset
1	0	1	0	Clear / Reset
1	1	0	0	Quiescent
1	1	1	1	Quiescent

S	R	Q_{t+1}	
0	0	?	Invalid
0	1	1	Set
1	0	0	Clear
1	1	Q_t	Quiescent

D Latch



(Circuit Diagram from Patt & Patel textbook)

WE	D	Q_{t+1}	
0	0	Q_t	Quiescent
0	1	Q_t	Quiescent
1	0	0	Reset
1	1	1	Set